

OCEANBRIDGE

INTERNATIONAL LOGISTICS SPECIALISTS SINCE 1981

CONTAINER SIZE GUIDE



SEA CARGO CONTAINER SIZES

20FT GP

(20' General)

Max Payload:	28,180 kg
Max Gross Weight:	30,480 kg
Internal Dimensions:	2,352 x 2,393 x 5,898 mm
Door opening:	2,340 x 2,280 mm
Capacity:	33.20 m ³



20FT RE

(20' Reefer)

Max Payload:	27,400 kg
Max Gross Weight:	30,480 kg
Internal Dimensions:	2,286 x 2,272 x 5,444 mm
Door opening:	2,276 x 2,261 mm
Capacity:	28.28 m ³

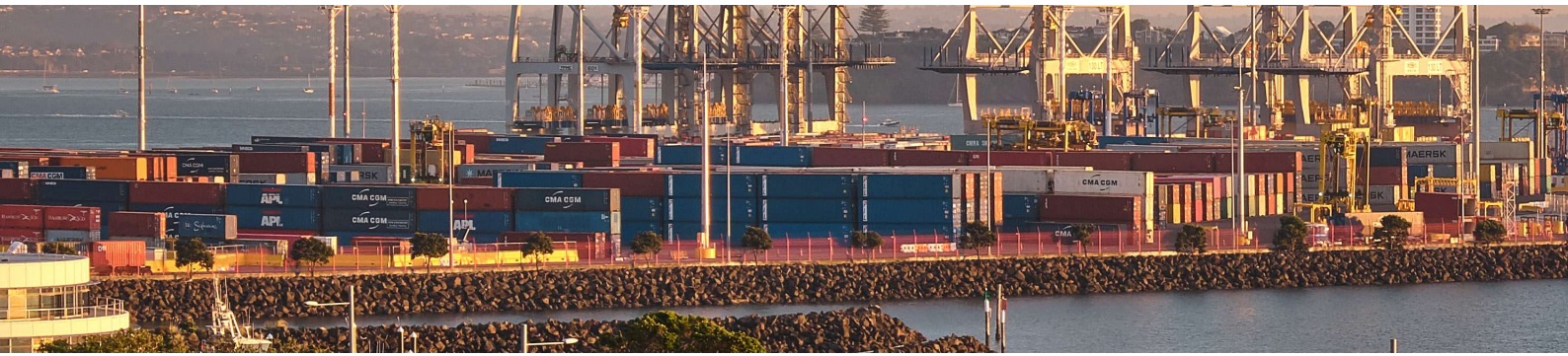


20FT OT

(20' Open Top)

Max Payload:	28,120 kg
Max Gross Weight:	30,480 kg
Internal Dimensions:	2,345 x 2,346 x 5,889 mm
Door opening:	2,300 x 2,215 mm
Capacity:	32.40 m ³





40FT GP

(40' General)

Max Payload:	28,750 kg
Max Gross Weight:	32,500 kg
Internal Dimensions:	2,352 x 2,393 x 12,032 mm
Door opening:	2,340 x 2,280 mm
Capacity:	67.72 m ³



40FT HC

(40' High-Cube)

Max Payload:	28,560 kg
Max Gross Weight:	32,500 kg
Internal Dimensions:	2,352 x 2,698 x 12,032 mm
Door opening:	2,340 x 2,585 mm
Capacity:	76.32 m ³



40FT RE

(40' Reefer)

Max Payload:	27,700 kg
Max Gross Weight:	32,500 kg
Internal Dimensions:	2,280 x 2,249 x 11,561 mm
Door opening:	2,280 x 2,205 mm
Capacity:	59.28 m ³



40FT HR

(40' High-Cube Reefer)

Max Payload:	29,150 kg
Max Gross Weight:	34,000 kg
Internal Dimensions:	2,268 x 2,553 x 11,571 mm
Door opening:	2,276 x 2,501 mm
Capacity:	69.00 m ³

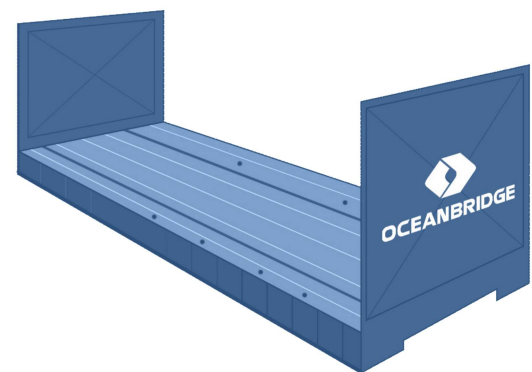




40FT OT

(40' Open Top)

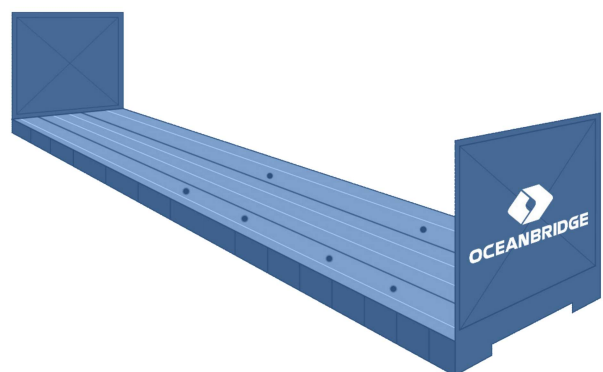
Max Payload:	28,470 kg
Max Gross Weight:	32,500 kg
Internal Dimensions:	2,352 x 2,324 x 12,024 mm
Door opening:	2,340 x 2,244 mm
Roof opening:	2,184 x 11,874 mm
Capacity:	65.72 m ³



20FT FR

(20' Flat Rack)

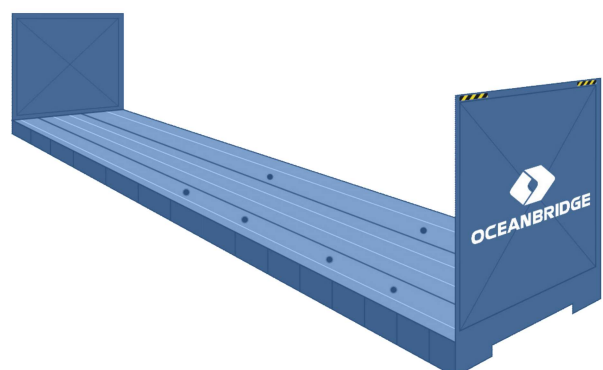
Max Payload:	24,973 kg
Max Gross Weight:	27,722 kg
Internal Dimensions:	2,200 x 2,230 x 5,630 mm



40FT FR

(40' Flat Rack)

Max Payload:	33,118 kg
Max Gross Weight:	38,918 kg
Internal Dimensions:	2,347 x 1,955 x 11,776 mm



40FT HCFR

(40' High Cube Flat Rack)

Max Payload:	49,100 kg
Max Gross Weight:	55,000 kg
Internal Dimensions:	2,347 x 2,264 x 12,048 mm